



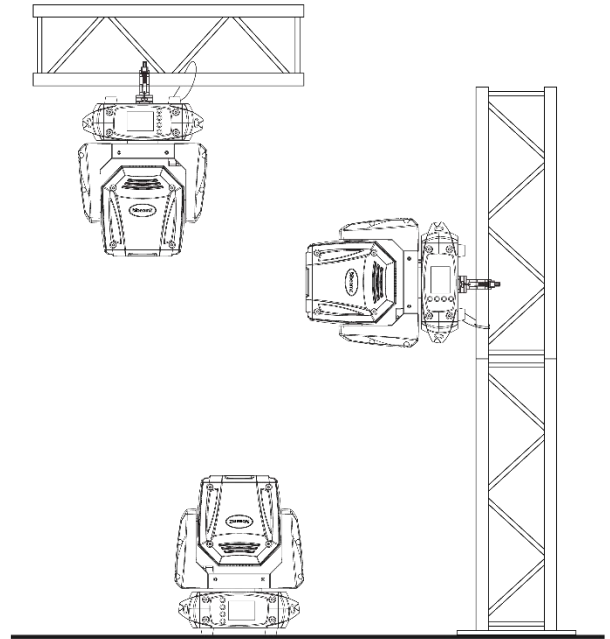
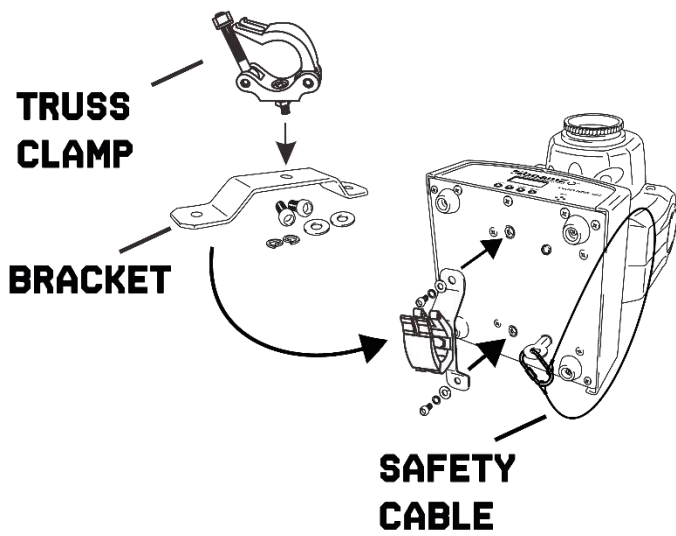
BEAMZ
MADE
EAZY

150.518 V1

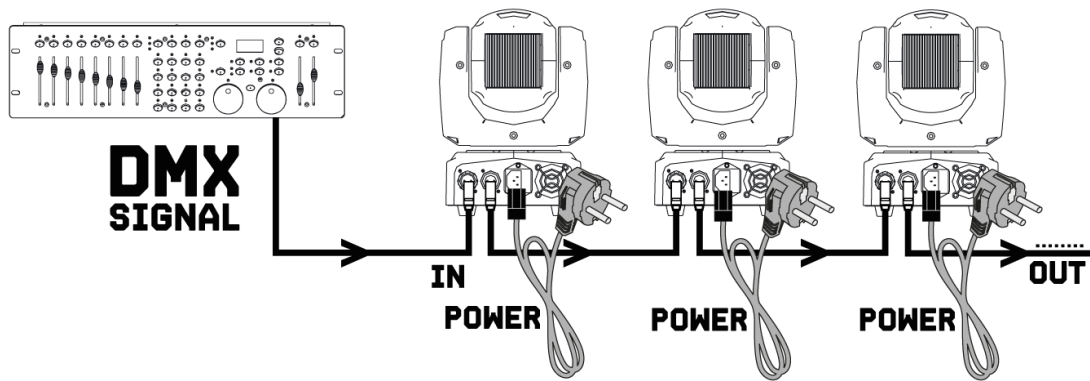
MHL74 WASH

QUICK **START GUIDE**

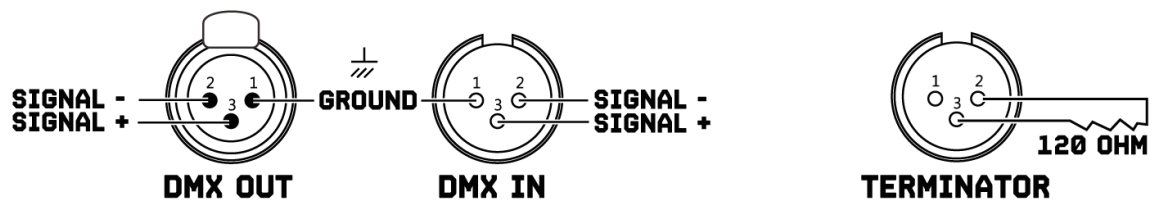
RIGGING



DMX512 CONTROL



CAUTION! At the last unit, you must close the DMX line with a terminating resistor. Take an XLR connector and solder a 120 Ohm resistor between signal (-) and signal (+) and connect it to the DMX output of the last unit in the line.



CONTROL MENU

MENU		DESCRIPTION
ADDR	A001-A512	DMX address setting
CHND	7 Kanalen	Channel Mode
	12 Kanalen	
SLND	NAST	Master/Slave
	SL1	
	SL2	
SOUN	0-100	Sound Sensitivity
AUTO	NO	Auto mode
	YES	
STBY	NO	Boot pause mode
	YES	
PAN	NO	X-motor forward/reverse
	YES	
TILT	NO	Y-motor forward/reverse
	YES	
LED	ON	Digital display ON/OFF
	OFF	
DISP	ON	Digital display
	OFF	
TEST		Function self-checking
HOUR		Machine time record
RSET		Reset self-checking

DMX CHANNELS

7 CHANNELS

CHANNEL	FUNCTION	VALUE	DESCRIPTION
1	PAN	000	Stop
		001-255	Adjust Pan motor movement
2	TILT	000	Stop
		001-255	Adjust Tilt motor movement
3	Dimming	000	Close
		011-255	All dimming adjustment from dark to bright
4	Colour	000	Close
		011-255	Red colour adjustment from dark to bright
5		000	Close
		011-255	Green colour adjustment from dark to bright
6		000	Close
		011-255	Blue colour adjustment from dark to bright
7		000	Close
		011-255	White colour adjustment from dark to bright



BEAMZ

YOUR FUTURE
YOUR SKILLS
YOUR PLATFORM
YOUR PARTY
YOUR EVENT



is a leading developer of lighting products, including intelligent DMX moving heads, wireless battery operated DMX effects, static washes, sound-activated club effects, strobes & blacklights, LED lighting, fog and special effects machines, lasers and indoor and outdoor architectural lighting, as well as lighting controllers and protective bags.

